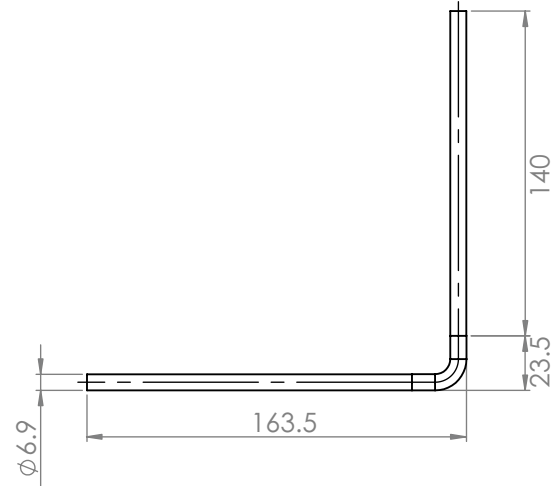
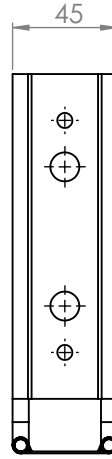


## Vertical Control Gap Tie



### DESCRIPTION

Vertical control gap tie for brick block work. This tie will retain masonry integrity against lateral wind loads, sleeves will absorb differential movement.

### FEATURES

- Clay brick / block work
- Tested to a control gap of 40mm
- Wall starter
- Universal applications
- Australian design & tested AS/NZS 2699.2:2020

### FIXING REQUIREMENTS

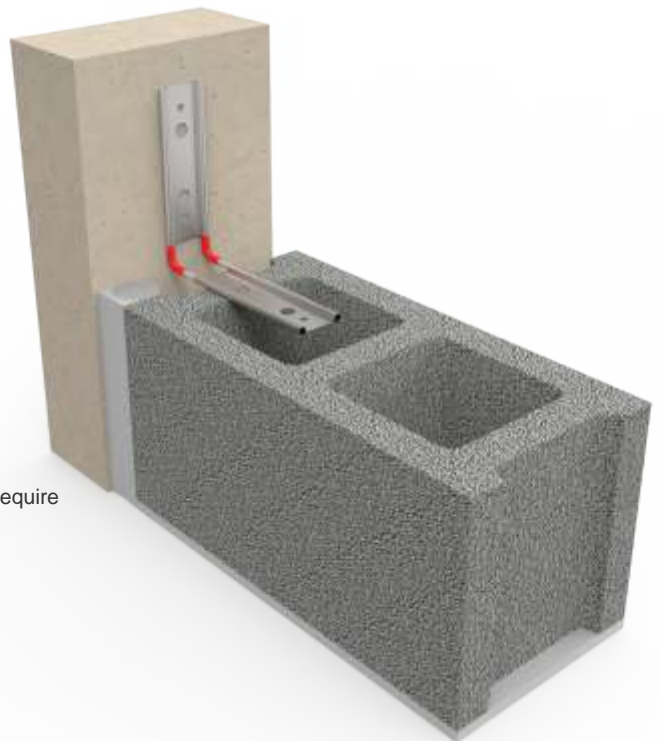
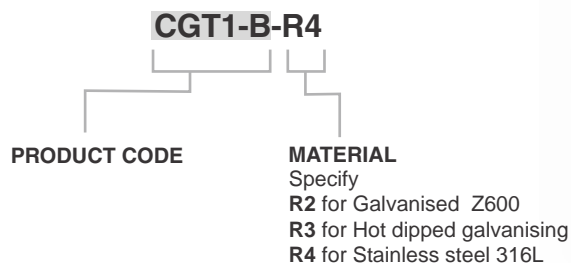
Fixed with approved fasteners, contact us with your project requirements.

### CORROSION CHARACTERISTICS

Galvanised Z600 (R2)  
 Hot dipped galvanising (R3)  
 Stainless steel 316L (R4)  
 Conforms to corrosion resistance set by AS/NZS 2699.2:2020 / AS 3700.

### ORDERING INFORMATION

When ordering please supply use with the part number and quantity you require



Datasheet